

**FEATURES**

- BUS+FADER+DIMMER+DRIVER
- DC Input: 12-24-48 Vdc
- Remote command options:
 - DMX512+RDM
 - DALI
- Local command options:
 - Normally Open push-button
- Adjusting the brightness of white light
- Current outputs or voltage outputs for R-L-C loads
- Typical efficiency > 95%
- Adjusting the brightness up to completed off
- Soft start and soft stop
- Optimized output curve
- Extended temperature range
- 100% Functional test - 5 Years warranty

➔ For the whole and updated **Device Manual** refer to producer's website: <http://www.dalcnet.com>

Constant current variants

Application: Dimmer

CODE	Input voltage	Output	Channels	Commands	
DLB1248-1CC350-DMX	12-48V DC	1 x 350mA	1	DMX – 1 N.O. push button	
DLB1248-1CC350-DALI	12-48V DC	1 x 350mA	1	DALI – 1 N.O. push button	
DLB1248-1CC500-DMX	12-48V DC	1 x 500mA	1	DMX – 1 N.O. push button	
DLB1248-1CC500-DALI	12-48V DC	1 x 500mA	1	DALI – 1 N.O. push button	
DLB1248-1CC700-DMX	12-48V DC	1 x 700mA	1	DMX – 1 N.O. push button	
DLB1248-1CC700-DALI	12-48V DC	1 x 700mA	1	DALI – 1 N.O. push button	
DLB1248-1CC950-DMX	12-48V DC	1 x 950mA	1	DMX – 1 N.O. push button	
DLB1248-1CC950-DALI	12-48V DC	1 x 950mA	1	DALI – 1 N.O. push button	

Any current value in range from 150mA to 950mA is available on demand.

Constant voltage variants

Application: Dimmer

CODE	Input voltage	Output	Channels	Commands	
DLB1248-1CV-DMX	12-48V DC	1 x 8A max	1	DMX – 1 N.O. push button	
DLB1248-1CV-DALI	12-48V DC	1 x 8A max	1	DALI – 1 N.O. push button	

Protections

OTP	Over temperature protection
OVP	Over voltage protection (*)
UVP	Under voltage protection (*)
RVP	Reverse polarity protection (*)
IFP	Input fuse protection (*)
SCP	Short circuit protection
OCP	Open circuit protection
CLP	Current limit protection

(*) Only control logic protection

Reference standards

EN 61347-1:2008+A1:2011+A2:2013	Lamp controlgear - Part 1: General and safety requirements
EN 55015:2013+A1:2015	Limits and methods of measurement of radio disturbance characteristics of electrical lighting and similar equipment
EN 61547:2009	Equipment for general lighting purposes - EMC immunity requirements
EN 50581:2012	Technical documentation for the assessment of electrical and electronic products with respect to the restriction of hazardous substances
IEC/EN 62386-101	Digital addressable lighting interface - Part 101: General requirements - System
IEC/EN 62386-102	Digital addressable lighting interface - Part 102: General requirements - Control gear
IEC/EN 62386-207	Digital addressable lighting interface - Part 207: Particular requirements for control gear - LED modules (device type 6)
IEC 60929-E.2.1	Control interface for controllable ballasts - control by d.c. voltage - functional specification
ANSI E 1.3	Entertainment Technology - Lighting Control Systems - 0 to 10V Analog Control Specification
ANSI E1.11	Entertainment Technology - USITT DMX512-A - Asynchronous Serial Digital Data Transmission Standard for Controlling Lighting Equipment and Accessories
ANSI E1.20	Entertainment Technology-RDM-Remote Device Management over USITT DMX512 Networks
-	MODBUS APPLICATION PROTOCOL SPECIFICATION V1.1b

Technical Specifications

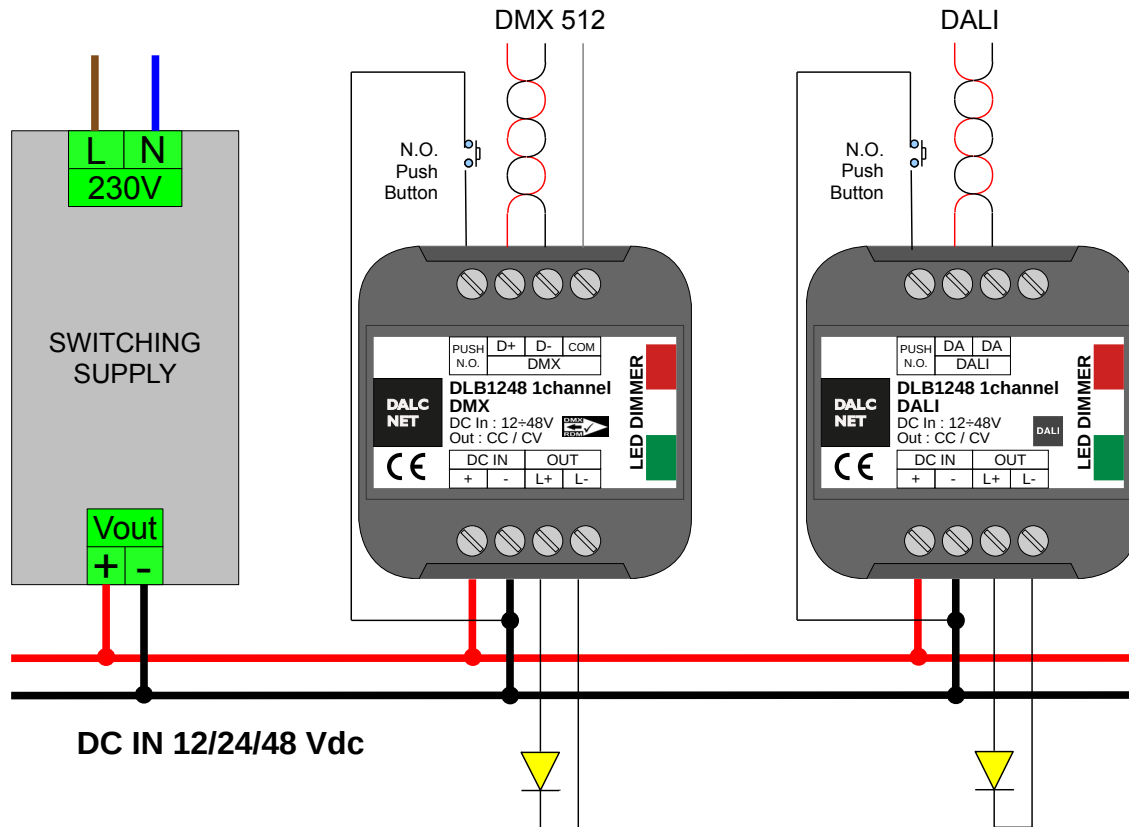
		Variants					Constant voltage	
		Constant current						
		350mA	500mA	700mA	950mA			
Supply voltage		min: 10,8 Vdc .. max: 52,8 Vdc						
Output voltage		min: $V_{in}/4$ max: $V_{in}-0,9V$				= V_{in}		
Output current		350 mA	500 mA	700 mA	950mA	max 8 A peak ¹⁾ max 7,5A @20°C ¹⁾ max 6,5A @40°C ¹⁾		
Absorbed nominal power ¹⁾	@12V	4.2 W	6 W	8.4 W	11.4 W	78 W		
	@24V	8.4 W	12 W	16.8 W	22.8 W	156 W		
	@48V	16.8 W	24 W	33.6 W	45.6 W	312 W		
Thermal shutdown		150 °C				150 °C		
D-PWM dimming frequency		250Hz						
D-PWM resolution		16 bit						
D-PWM range		0,1 – 100%						
Storage Temperature		min: -40 max: +60 °C						
Ambient Temperature ¹⁾		min: -10 max: +40 °C						
Protection grade		IP20						
Wiring		2.5mm ² solid - 1.5mm ² stranded - 30/12 AWG						
Mechanical dimensions		45 x 58 x 25 mm						
Package dimensions		56 x 68 x 35 mm						
Weight		40g						

¹⁾ maximum value, dependent on the ventilation conditions

Installation

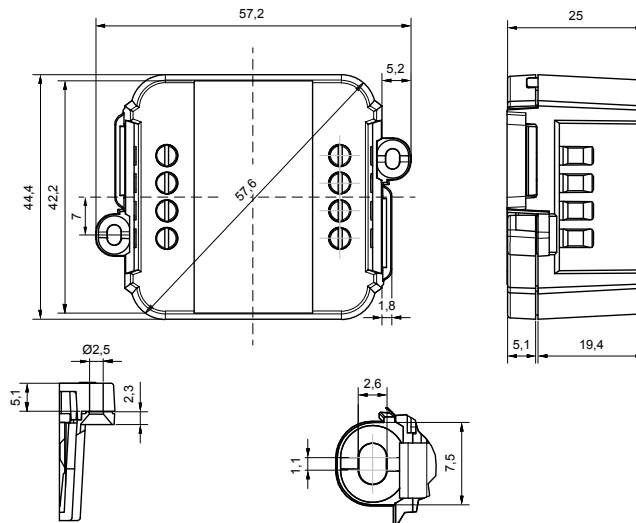
As shown below do the following steps to install the product:

- 1) connect the power supply (12-48 V) to the device terminals DC IN
- 2) connect the N.O. Push button and / or the BUS in the correct terminals of the device
- 3) connect the LED output terminals OUT



DLB1248-1CC350-DMX
 DLB1248-1CC500-DMX
 DLB1248-1CC700-DMX
 DLB1248-1CC950-DMX
 DLB1248-1CV-DMX

DLB1248-1CC350-DALI
 DLB1248-1CC500-DALI
 DLB1248-1CC700-DALI
 DLB1248-1CC950-DALI
 DLB1248-1CV-DALI

Mechanical Dimension:**Technical Notes****Installation:**

- Installation and maintenance must be performed only by qualified personnel in compliance with current regulations.
- The product must be installed inside an electrical panel protected against overvoltages.
- The product must be installed in a vertical or horizontal position with the cover / label upwards or vertically; Other positions are not permitted. It is not permitted to bottom-up position (with the cover / label updown).
- Keep separated the circuits at 230V (LV) and the circuits not SELV from circuits to low voltage (SELV) and from any connection with this product. It is absolutely forbidden to connect, for any reason whatsoever, directly or indirectly, the 230V mains voltage to the bus or to other parts of the circuit.

Power Supply:

- For the power supply use only a SELV power supplies with limited current, short circuit protection and the power must be dimensioned correctly.
- In case of using power supply with ground terminals, all points of the protective earth (PE = Protection Earth) must be connected to a valid and certified protection earth.
- The connection cables between the power source "low voltage" and the product must be dimensioned correctly and they should be isolated from every wiring or parts at voltage not SELV. Use double insulated cables.
- Dimension the power supply for the load connected to the device. If the power supply is oversized compared with the maximum absorbed current, insert a protection against over-current between the power supply and the device.
- For the constant current output, the voltage of LED module (V_f) must be less of 5V at the voltage of power supply.

Command:

- The length of the connection cables between the local commands (N.O. Push button or other) and the product must be less than 10m; the cables must be dimensioned correctly and they should be isolated from every wiring or parts at voltage not SELV. Use double insulated shielded and twisted cables.
- The length and type of the connection cables at the BUS (DMX512, Modbus, DALI or other) use cables as per specification of the respective protocols and regulations and they should be isolated from every wiring or parts at voltage not SELV. Use double insulated shielded and twisted cables.
- All the product and the control signal connect at the bus (DMX512, Modbus, DALI or other) and at the local command (N.O. Push Button or other) must be SELV (the devices connected must be SELV or supply a SELV signal)

Outputs:

- The length of the connection cables between the product and the LED module must be less than 10m; the cables must be dimensioned correctly and they should be isolated from every wiring or parts at voltage not SELV. Is preferable to use shielded and twisted cables.



■ LOCAL COMMAND

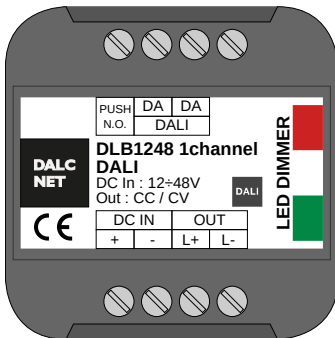
PUSH DIMMER FEATURE

The intensity and the status change (ON/OFF) are controlled by the N.O. push button.

Button	Intensity
Click	On/Off
Double Click	Maximum intensity
Long pressure (>1s) from OFF	Turn ON at 1% (Nightly Time), then dimmer up/down
Long pressure (>1s) from ON	Dimmer up/down

■ DALI BUS SETUP

In DALI BUS SETUP all the leds are controlled by an external DALI controller.



Features

- BUS DALI

Reference standards

IEC/EN 62386-101	Digital addressable lighting interface - Part 101: General requirements - System
IEC/EN 62386-102	Digital addressable lighting interface - Part 102: General requirements - Control gear
IEC/EN 62386-207	Digital addressable lighting interface - Part 207: Particular requirements for control gear - LED modules (device type 6)

Functions

RELATION WITH LOCAL COMMANDS

At first power-up, in case of absence of connection to the BUS, local control is active.

When the BUS is detected, the control passes to the BUS.

In the absence of signal the control passes to local commands in the event of the button pressure.

The control mode is memorized on a non-volatile memory

ADDRESSING

Simplified method (One ballast connected at a time)	✓
Random Address Allocation	✓

CHANNEL MAP

The intensity and the status (ON/OFF) is controlled by a DALI controller.

Channel	Function	Value
1	Dimmer	Intensity [0..254]

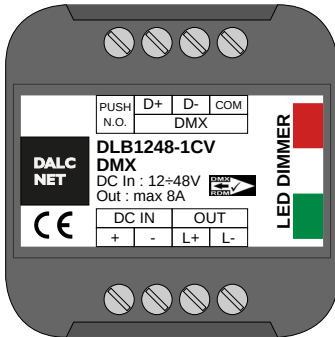


DEFAULT VALUES

	FACTORY	RESET
ACTUAL LEVEL	254	254
POWER ON LEVEL	254	254
SYSTEM FAILURE LEVEL	254	254
MIN LEVEL	1	1
MAX LEVEL	254	254
FADE RATE	7	7
FADE TIME	0	0
SHORT ADDRESS	FF	(no change)
SEARCH ADDRESS	FF FF FF	FF FF FF
RANDOM ADDRESS	FF FF FF	FF FF FF
GROUP 0-7	0	0
GROUP 8-15	0	0
SCENE 0-15	MASK	MASK
STATUS INFORMATION	1??0????	0?100???
VERSION NUMBER	1	(no change)
PHYSICAL MIN. LEVEL	1	(no change)

■ DMX512+RDM BUS SETUP

With the **DMX+RDM BUS SETUP** in the "slave" condition the outputs are managed by an external DMX controller.



Features

- BUS DMX512 (NSC+SIP+RDM)



Reference standards

ANSI E1.11	Entertainment Technology - USITT DMX512-A - Asynchronous Serial Digital Data Transmission Standard for Controlling Lighting Equipment and Accessories
ANSI E1.20	Entertainment Technology-RDM-Remote Device Management over USITT DMX512 Networks

Functions

RELATION WITH LOCAL COMMANDS

At first power-up, in case of absence of connection to the BUS, local control is active.

When the BUS is detected, the control passes to the BUS.

In the absence of signal the control passes to local commands in the event of the button pressure.

The control mode is memorized on a non-volatile memory

ADDRESSING

RDM

Notice: device addressing have to be carried out by a DMX-RDM programmer.

CHANNEL MAPS

The intensity and the status (ON/OFF) is controlled by a DMX controller.

Channel	Function	Value
1	Dimmer	Intensity [0..255]



RDM COMMANDS

<i>REQUESTED PARAMETERS</i>	
DISC_UNIQUE_BRANCH	✓
DISC_MUTE	✓
DISC_UN_MUTE	✓
SUPPORTED_PARAMETERS	✓
PARAMETER_DESCRIPTION	✓
DEVICE_INFO	✓
SOFTWARE_VERSION_LABEL	✓
DMX_START_ADDRESS	✓
IDENTIFY_DEVICE	✓

<i>SUPPORTED PARAMETERS</i>	
PRODUCT_DETAIL_ID_LIST	✓
DEVICE_MODEL_DESCRIPTION	✓
MANUFACTURER_LABEL	✓
DEVICE_LABEL	✓
BOOT_SOFTWARE_VERSION_ID	✓
BOOT_SOFTWARE_VERSION_LABEL	✓
DMX_PERSONALITY	✓
DMX_PERSONALITY_DESCRIPTION	✓
SLOT_INFO	✓
SLOT_DESCRIPTION	✓
DEFAULT_SLOT_VALUE	✓