



CASAMBI



FEATURES

- DIMMER+DRIVER CASAMBI
- Input: DC 12-24 Vdc
- Command: APP CASAMBI
- Local Command: N°4 Push Buttons Normally Open (N.O.)
- Control: Dimmer White, Tunable White, Color RGB o RGBW
- Voltage or Current output for LED strip
- Typical efficiency > 95%
- Extended temperature range
- 100% Functional Test



Product description:

This DLX1224 at 4 channels with CASAMBI module allows to control all kind of leds: White, Tunable White, RGB and RGBW.

Through this device it is possible to adjust the luminous brightness, to create multiple color scenes and settle color games, thanks to all commands available on "CASAMBI APP". The device is also provide with 4 analog input (n°4 Push Buttons Normally Open) to control up to four different scenes.

With Casambi APP it is possible to control Led lights just from one view, by taking a photo of the lamps in a room, or by creating different scenarios.

Controlling your lamps from one view, it is possible to control all your lighting fixtures with one view, individually or as a group. For example it is possible create a group of lights within home (eg. bedroom, kitchen, etc..) as in the workplace (eg. offices, showroom, etc..) and turn all off / on or dim with just one tap

Control your lights from a photo. It is possible to control only the lights you desire, just taking a photo of the room, and putting the icon of the lamp on the real position.

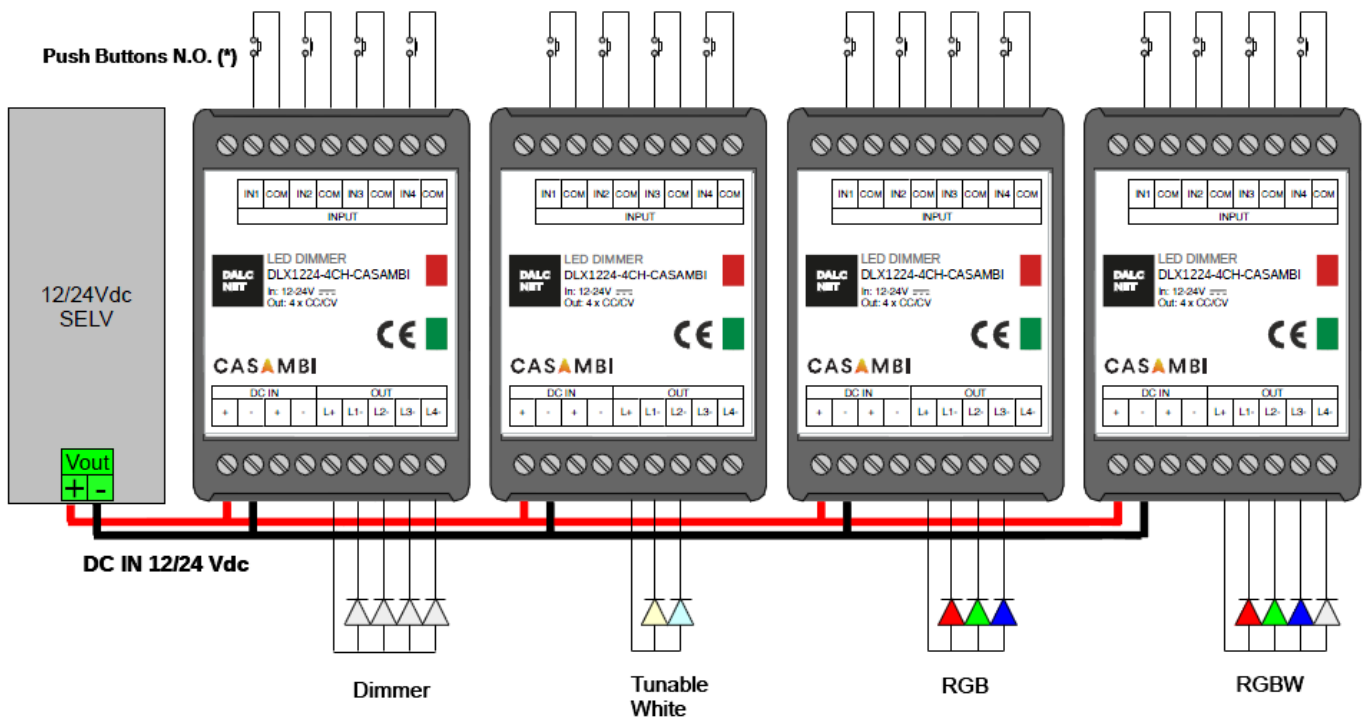
Creates scenes for different lighting situations: Thanks to this function it is possible to create and store on the app many scenarios with different levels of brightness, different color temperature or RGB scenes.

Download the free Casambi APP on APP STORE and GOOGLE PLAY.
Necessary conditions for a correct function are:

- Devices with S.O. APPLE iOS 8.2 o later version
- Devices with S.O. ANDROID 4.4 o later version
- Normally Open Push Buttons (N.O.)
- Casambi App, download for free on App Store and Google Play



Installation



Technical Specification

		Variants						
		Constant current			Constant voltage			
Supply voltage		DC min: 10.8 Vdc .. max: 26.4 Vdc						
Input current		max 2 A			max 10A			
Output voltage		min: Vin/4; max: Vin-0,9V			= Vin			
Output current		Variant 350mA		Variant 500mA		max 5 A/ch ¹⁾	max 10 A total ²⁾³⁾	
		350mA/ch	max 1,4 A total	500mA/ch	max 2 A total			
		1ch	Max 4ch	1ch	Max 4ch			
Nominal power ¹⁾		@12V	4,2W/ch	16,8 W	6W/ch	24 W	60W/ch	120 Wmax
		@24V	8,4W/ch	33,6 W	12W/ch	48 W	120W/ch	240 Wmax
Thermal shutdown		150 °C			150 °C			
D-PWM dimming frequency		600 Hz ²⁾						
D-PWM resolution		833 Step ²⁾						
Operating frequencies		2,400...2,483 GHz ²⁾						
Maximum output power		4dBm ²⁾						
Storage Temperature		min: -40 max: +60 °C						
Ambient Temperature ¹⁾		min: -10 max: +40 °C						
Protection grade		IP20						
Wiring		2.5mm ² solid - 1.5mm ² stranded - 30/12 AWG						
Mechanical dimension		88 x 54 x 25 mm						
Packaging dimension		106 x 59 x 36 mm						
Weight		80g						

¹⁾ Maximum value, depends on the ventilation conditions.

²⁾ The values depend on the configuration of the Casambi module.

³⁾ For the voltage version the device provides max 10A ($I_{TOT} = I_{L1} + I_{L2} + I_{L3} + I_{L4}$). Each channel provides max 5A.